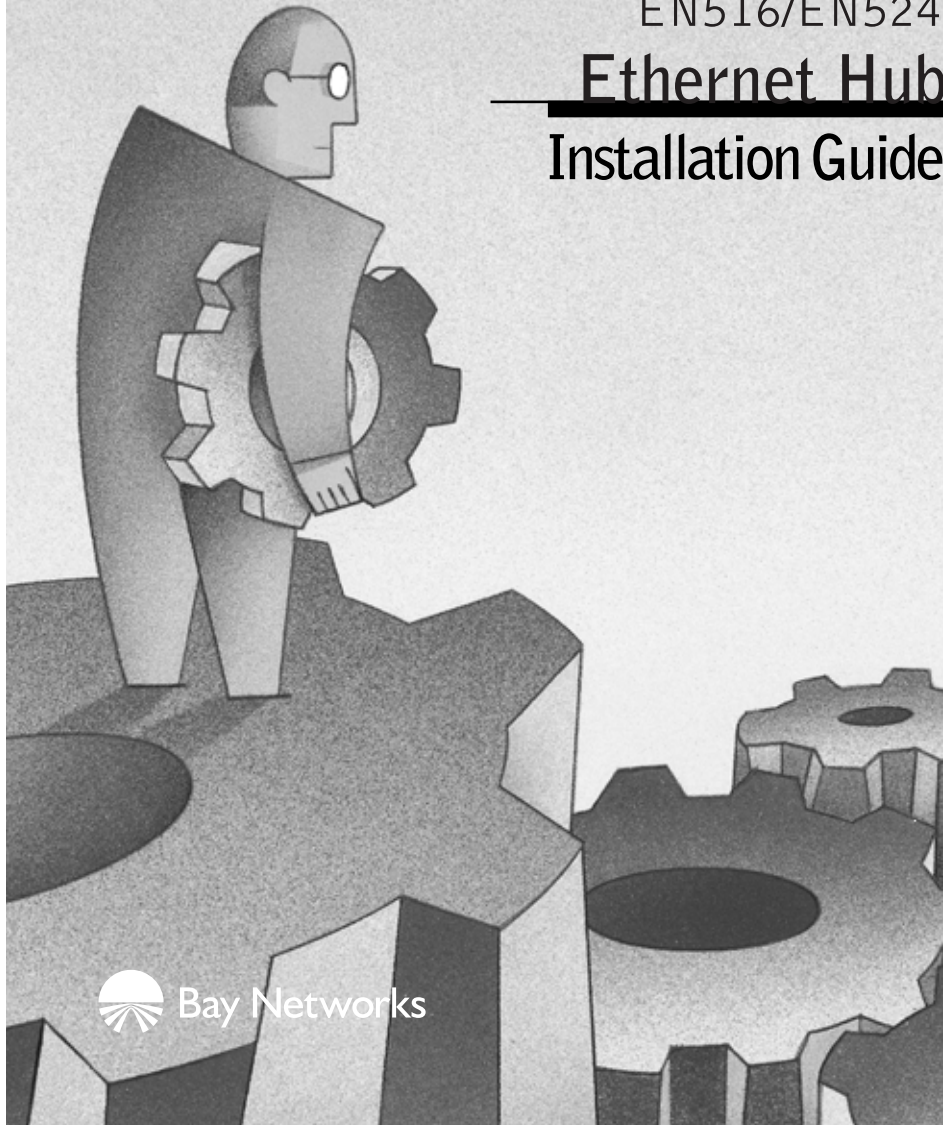


NETGEAR

MODEL
EN516/EN524

Ethernet Hub Installation Guide



 Bay Networks



Start Here

Congratulations on your purchase of the NETGEAR™ Model EN516 or Model EN524 Ethernet hub. These hubs deliver standards-based, plug-and-play networking solutions for small businesses, home offices, and low-density workgroups of larger companies.



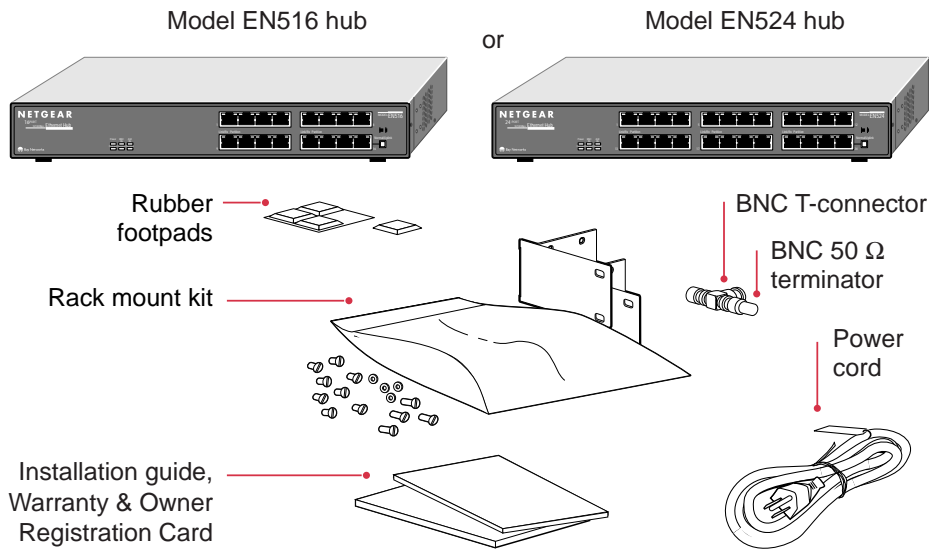
Features

The Model EN516 and Model EN524 hubs have the following features:

- Sixteen (on the Model EN516 hub) and twenty-four (on the Model EN524 hub) vista 10BASE-T network ports (RJ-45) that provide 10 Mbps networking using simple unshielded twisted pair (UTP) wiring (The vista network ports provide built-in LED indicators for at-a-glance status checks.)
- AUI or coaxial BNC backbone support for connecting to an existing Ethernet segment or external transceiver, or for network expansion by connecting multiple hubs together using twisted pair or coaxial cabling
- Uplink port for connecting to other hubs using simple straight-through cables
- Built-in 100 to 240 V AC switching power supply, eliminating the need for bulky wall transformers
- Clear front-panel light-emitting diode (LED) indicators, providing the individual ports and overall hub status
- Plug-and-play installation with no software to configure
- Complete hub functions including packet retiming, collision detection, preamble regeneration, and fragment extension
- Automatic partitioning and reconnection of a port that has excessive collisions or is jabbering
- Automatic polarity detection for recognizing and correcting incorrect polarity on the receive pair
- Compact design, enabling easy tabletop or rack-mounting installation
- Limited five-year warranty on the unit and one-year warranty on the power supply



Package Contents



8668FA

Verify that your package contains the following:

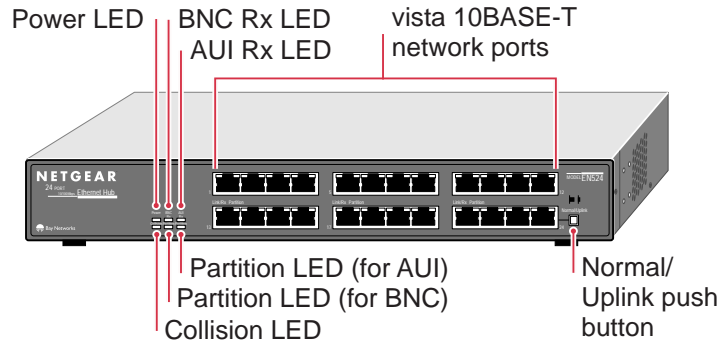
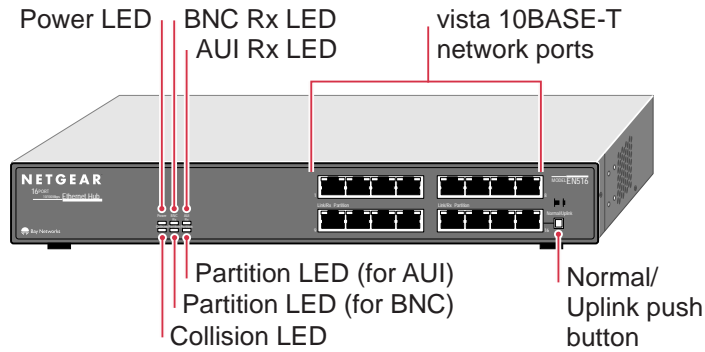
- Model EN516 hub or Model EN524 hub
- Rack mount kit that includes eight small screws, four large screws, four spacers, and two rack mount brackets
- Four rubber footpads
- BNC T-connector and BNC 50 Ω terminator
- Installation guide
- Warranty & Owner Registration Card
- Power cord



Product Illustration

The instructions provided in this guide are for installing and using the Model EN516 hub and the Model EN524 hub.

Front Panel of the Model EN516 hub

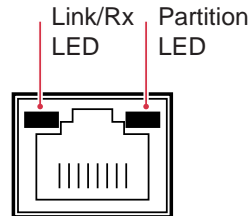


Front Panel of the Model EN524 hub

8669FA

Vista 10BASE-T Network Ports with Built-in LEDs

The front panel of the Model EN516 hub has 16 RJ-45 10BASE-T ports, and the Model EN524 hub has 24 RJ-45 10BASE-T ports. Two LEDs—the Link/Rx LED and the Partition LED—are built into each 10BASE-T port on both models.



8670EA

LEDs

The table below describes the activity of the LEDs.

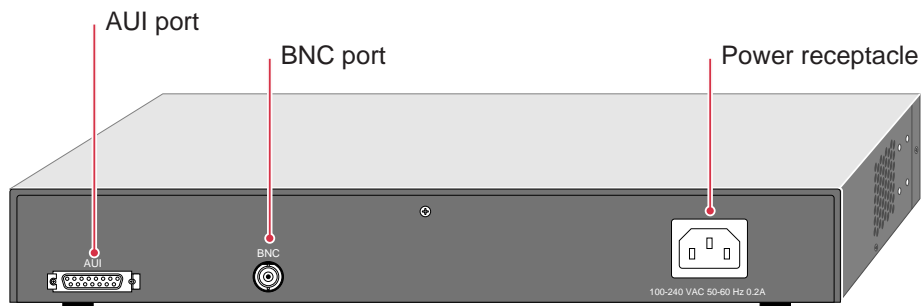
Label	Color	Activity	Description
Power	Green	On	Power is supplied to the hub.
Collision	Amber	Blinking	Data collision is occurring on the network. Note that occasional collisions are normal.
BNC Rx	Green	Blinking	There is incoming data on the BNC port.
Partition (for BNC)	Amber	On	The BNC port is partitioned because of excessive collisions or the BNC port is not connected.
AUI Rx	Green	Blinking	There is incoming data on the AUI port.
Partition (for AUI)	Amber	On	The AUI port is partitioned because of excessive collisions or because the signal quality error (SQE) test function is not disabled on the transceiver.
Link/Rx (located on the top left corner of each vista 10BASE-T port)	Green	On	The link between this port and the connected device is good.
		Blinking	There is incoming data on the port.
Partition (located on the top right corner of each vista 10BASE-T port)	Amber	On	The port is partitioned because of excessive collisions.

Normal/Uplink Push Button

The Normal/Uplink push button allows you to select Normal (MDI-X) for direct PC connection. The push button also allows you to select Uplink (MDI) wiring for connection to a hub or a switch for port 16 on the Model EN516 hub and for port 24 on the Model EN524 hub. This uplink configuration eliminates the need to use a crossover cable. Ports 1 through 15 on the Model EN516 hub and ports 1 through 23 on the Model EN524 hub are permanently configured for normal wiring for connection to a PC.

Rear Panel

The rear panel of each hub has two ports: the AUI port and the BNC port. You can use the AUI port with the appropriate transceiver to connect the hub to a backbone network using thin coaxial cable, thick coaxial cable, fiber optic cable, or 10BASE-T wiring. You can use the BNC port to connect to a backbone network or other PCs using thin coaxial cable. The rear panel also includes an AC power receptacle. The hub accepts between 100 and 240 V AC, 50/60 Hz.



8143FA



Installation Procedures



Prepare the Site

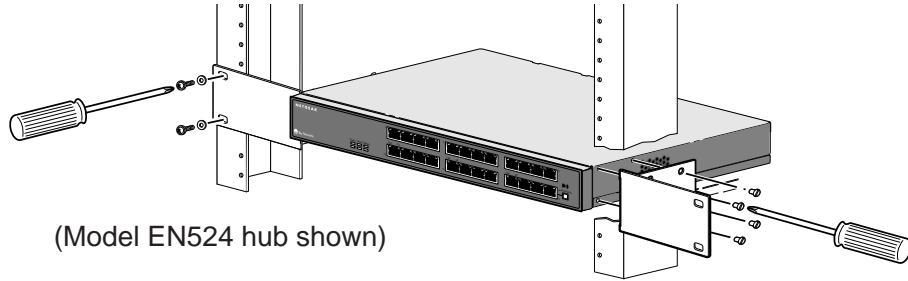
Before you begin installing your hub, prepare the installation site. Make sure your operating environment meets the operating environment requirements of the equipment.

Characteristic	Requirement
Temperature	Ambient temperature between 0° and 40° C (32° and 104° F). No nearby heat sources such as direct sunlight, warm air exhausts, or heaters.
Operating humidity	Maximum relative humidity of 90%, noncondensing.
Ventilation	Minimum 2 inches (5.08 cm) on all sides for cooling. Adequate airflow in room or wiring closet.
Operating conditions	At least 6 feet (1.83 m) to nearest source of electromagnetic noise (such as photocopy machine or arc welder).
Service access	Minimum 12 inches (19.68 cm) front and back for service access and maintenance. Front and back clearance for cables and wiring hardware such as punchdown blocks.
Power	Adequate power source within 6 feet (1.83 m).
Tabletop requirements	Flat area approximately 13 inches (33.0 cm) by 8 inches (20.3 cm).
Rack requirements	Standard 19-inch (48.26 cm) EIA equipment rack, with supplied mounting bracket hardware; 1.0 EIA rack-mount spaces needed for each NETGEAR hub.
Wiring hardware	Wiring hardware, such as punchdown blocks or patch panels, should be complete before installing the hub.

2 Install the Hub

To install your hub on a flat surface, you do not need any special tools. Install the rubber footpads that are included in the package. Be sure the hub is positioned with at least 2 inches of space on all sides for ventilation.

To install the hub in a rack, you need two Phillips screwdrivers: one size for the screws that attach the brackets to the hub and another size for the screws that attach the brackets to the mounting rack. Be sure to choose a location that is near the devices to be connected, is close to an electrical outlet, and provides at least 2 inches of space all around the hub for ventilation.

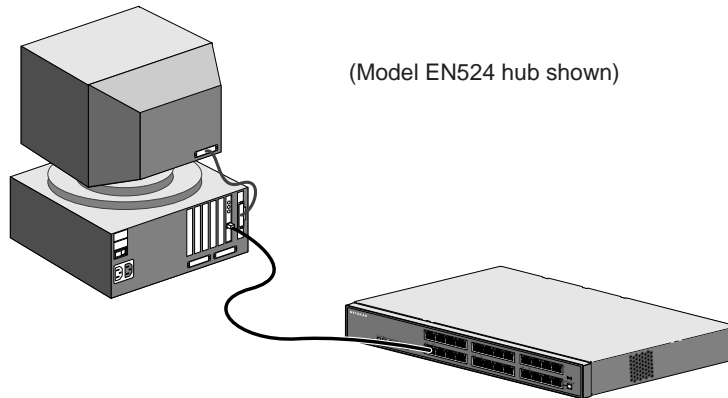


8666FA

3 Connect a PC to the Hub

You can connect PCs, Apple Macintosh computers, UNIX workstations, or any device equipped with a 10BASE-T Ethernet interface to the RJ-45 ports on your hub by using twisted pair Ethernet cables.

To connect any of the RJ-45 ports on your hub to a PC, use a regular straight-through UTP cable. If you are connecting using port 16 on the Model EN516 hub or port 24 on the Model EN524 hub, set the Normal/Uplink push button to Normal.



8667FA



Note: Ethernet specifications limit the cable length between your PC or server and the hub to 328 feet (100 meters) in length.

4 Connect the Hub to a Network

Cascading refers to connecting hubs together to increase the number of ports or the number of users supported on the network. The 10BASE-T, BNC, or AUI ports can be used to cascade hubs together.

Connect to a Network Using the 10BASE-T Ports

The twisted pair cable extended from a 10BASE-T port (or UTP port) is called a twisted pair segment and can be up to 100 meters (m) in length. The 10BASE-T ports, with the exception of port 16 on the Model EN516 hub and port 24 on the Model EN524 hub, are MDI-X (or Normal) ports. Use the following table as a guide for selecting the appropriate network cable.

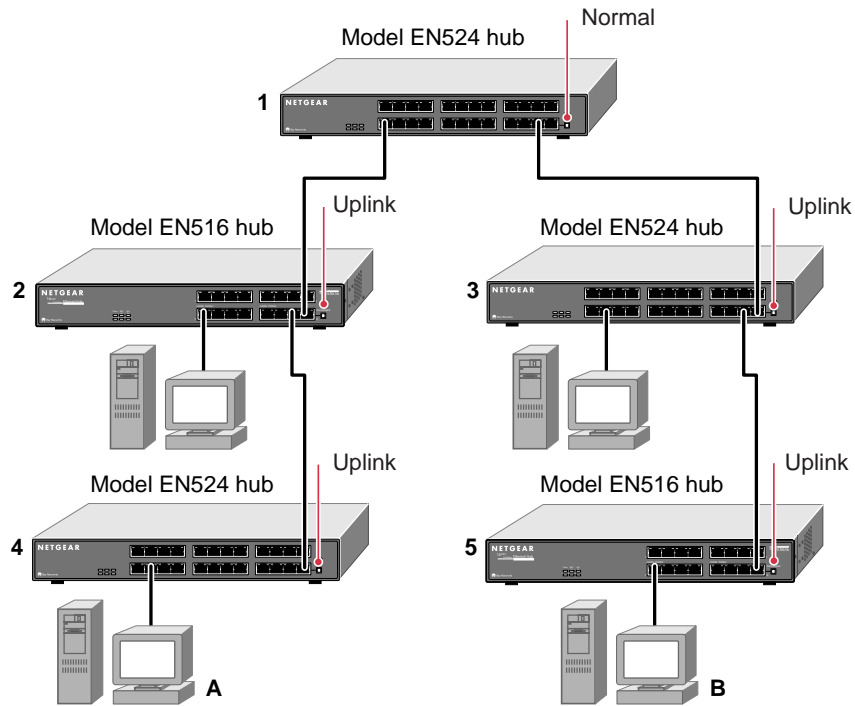
Connecting Port on the Hub	Connecting Device	Cable Used
Model EN516 hub: Ports 1–15	PC, server, or router	Straight-through cable
Ports 1–15	Hub or switch	Crossover cable
Model EN524 hub: Ports 1–23	PC, server, or router	Straight-through cable
Ports 1–23	Hub or switch	Crossover cable

Set the Normal/Uplink Push Button

If you are connecting to port 16 on the Model EN516 hub or to port 24 on the Model EN524 hub, use the following table. Determine the type of cable to use and how to set the Normal/Uplink push button for either port 16 or port 24.

Connecting Port	Connecting Device	Cable Used
Port 16 or port 24 set to Normal	PC, server, or router	Straight-through cable
Port 16 or port 24 set to Uplink	Hub or switch	Straight-through cable

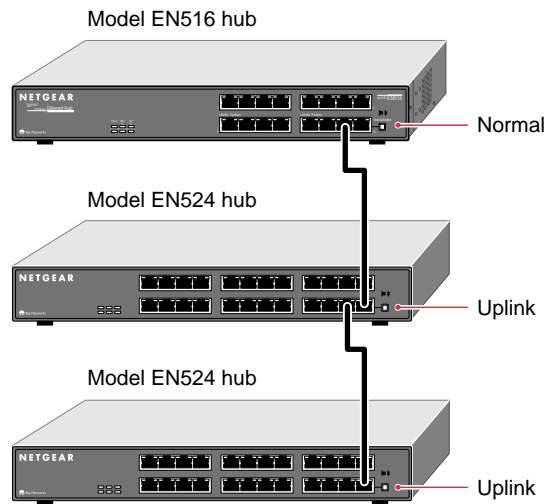
You can cascade hubs together through any of the ports. The following illustration shows cascading hubs together in a hierarchical star through the 10BASE-T ports and indicates the setting of the Normal/Uplink push button on each hub.



8664FA

Note: Ethernet specifications limit the number of hubs with twisted pair links in any communication path to five, as shown in the example. When PC "A" communicates with PC "B," the communication path goes from hub 4 to hub 2, to hub 1, to hub 3, and then to hub 5 (or five paths).

The following illustration shows cascading hubs together daisy-chain style and indicates the setting of the Normal/Uplink push button on each hub.

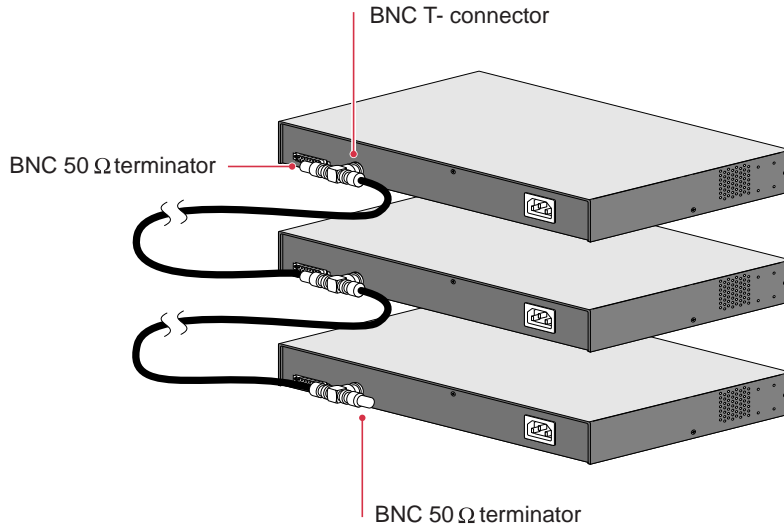



8665FA

Connect to a Network Using the BNC Port

The BNC port on the rear panel of the hub is used for connecting to a thin coaxial segment. You can connect other Model EN516 or Model EN524 hubs, servers, workstations, or other devices to the BNC port. A BNC-T connector is inserted in the port, and the 50 Ω terminator terminates the connection at each end device. By using the BNC port for cascading, you treat each connected hub as just another node on the coaxial segment.

The separation marks in the coaxial cable between the hubs in this illustration represent the incorporation of other devices and show that interconnection is not limited to hubs.



 **Note:** Ethernet specifications limit a BNC segment to 30 BNC connections, specify a minimum of 1.64 feet (0.5 m) between any two stations, and limit segments to 607 feet (185 m) in length.

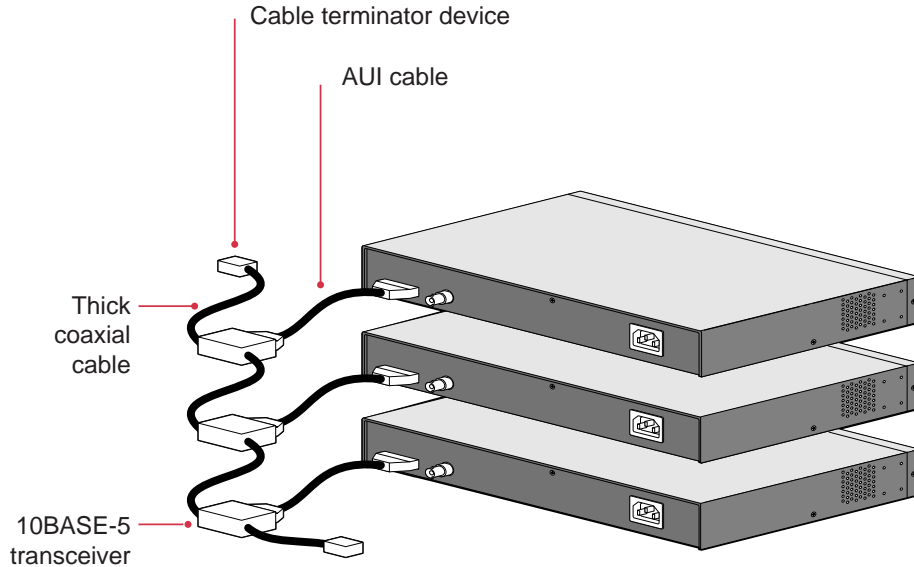
Connect to a Network Using the AUI Port

The AUI port on the rear panel of the hub is normally used for connecting a thick coaxial segment.

With the right type of transceiver, you can use the AUI port to connect to most types of network media, including 10BASE-T twisted pair cable or thin coaxial, thick coaxial, and 10BASE-FL fiber optic cables.



Note: All transceivers connected to the AUI port must have the signal quality error (SQE) test function disabled. Refer to your transceiver documentation for information about disabling the SQE test function.



8075FA



Note: Ethernet specifications limit segments to 100 stations and 1,640 feet (500 m) in length, and they specify that the AUI cable between the hub and the transceiver is limited to 164 feet (50 m).

5 Verify the Installation

To complete the installation, connect the power cord first to the power receptacle on the hub rear panel and then to the power outlet on the wall. When power has been applied to the hub:

- The green Power LED on the front panel is on.
- The green Link/Rx LED on each connected port is on.

If there are any problems, refer to “Troubleshooting Information.”



Troubleshooting Information

Refer to this table and the information that follows the table to troubleshoot your Model EN516 or Model EN524 hub.

Symptom	Cause	Solution
Amber Collision LED blinks.	Data collision is normal on Ethernet networks.	No action is required.
Amber Collision LED blinks excessively.	There is data collision on the network because the network is extremely busy or defective devices are connected on the network that cannot detect network traffic or collision.	Make sure connected devices are operating in half-duplex mode. The hub is not compatible with devices that operate in full-duplex mode. If you suspect that there might be a defective device on the network, disconnect devices one at a time to isolate the defective unit on the network. If the network is extremely busy, you may have to segment the network with an Ethernet switch such as a NETGEAR Ethernet switch or to upgrade your network to Fast Ethernet operation.
	Wrong or miswired cables are used.	Make sure the correct UTP cables are used. See the table in the installation section of this guide for cable use and Normal/Uplink push button information. Note that home telephone cables can cause a collision condition and cannot be used in place of UTP cables.
Green Link/Rx LED on the 10BASE-T port is off when a cable is attached or not blinking when there is data transmission.	The port is not detecting a successful link or data transmission.	Check for a bad cable, cable pairs that are not correctly wired, or loose connectors. Make sure that there is power to both the hub and the Ethernet transceiver on the connected device. Make sure the port has not been partitioned.
Amber Partition LED on the 10BASE-T port, BNC port, or AUI port turns on.	The connected port is partitioned because of excessive collisions.	The 10BASE-T port, BNC port, or AUI port is partitioned after 32 consecutive collisions are detected. When the first good packet without a collision is received, the port is reconnected and the amber Partition LED turns off. Check and correct causes listed in this table for excessive collisions. Make sure that: <ul style="list-style-type: none">• The correct cable is used and the cable is not faulty.• There are no faulty connectors.• The network card in your PC is set to half-duplex. If the amber Partition LED on the BNC port turns on, also make sure that: <ul style="list-style-type: none">• Each segment is terminated with a BNC 50 Ω terminator at both ends. Note that if the BNC port is not in use and the amber Partition LED turns on (which could happen), no action is required. If the amber Partition LED on the AUI port turns on, also make sure that: <ul style="list-style-type: none">• The coaxial transceiver is functioning properly, the coaxial segment is terminated properly, and the segment is not disconnected along the cable length.• The signal quality error (SQE) test on the transceiver is disabled. Refer to your transceiver documentation for instructions.



Cable Connector Information

Network Interface Cards

Make sure the network interface cards installed in the workstations are in working condition and the software driver has been installed.

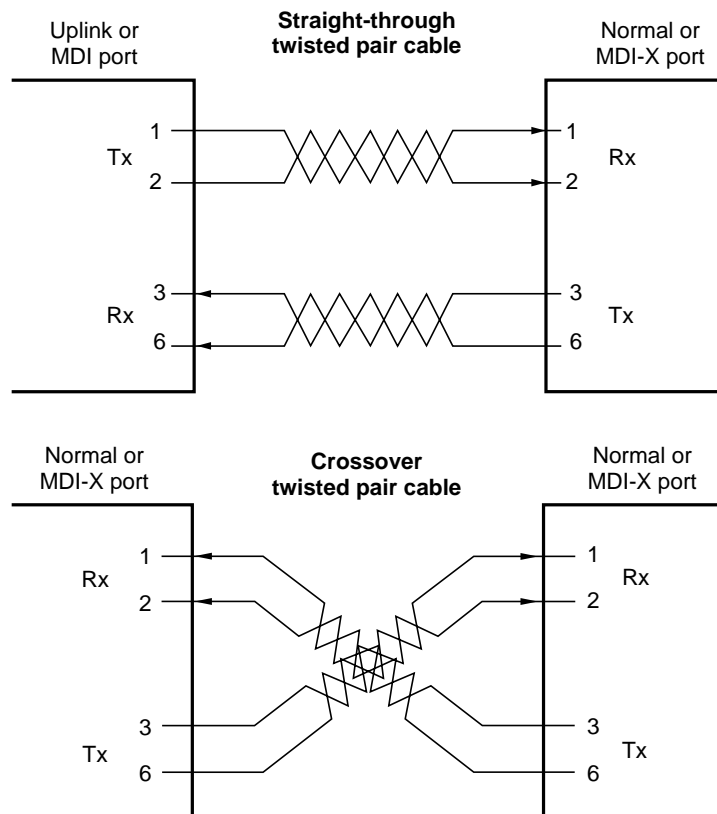
Hub Integrity

If required, verify the integrity of the hub by resetting it. Turn power to the switch off and then back on. If the problem continues and you have completed all the preceding diagnoses, contact NETGEAR Customer Support. For the phone number of the representative in your area, see "Customer Support."

Twisted Pair Cables

For two devices to communicate, the transmitter of each device must be connected to the receiver of the other device. The crossover function is usually implemented internally as part of the circuitry in the device. Most ports on switches and repeaters have media-dependent interfaces with crossover ports. These ports are referred to as MDI-X or Normal ports. Computer and workstation adapter cards are usually media-dependent interface ports referred to as MDI or Uplink ports.

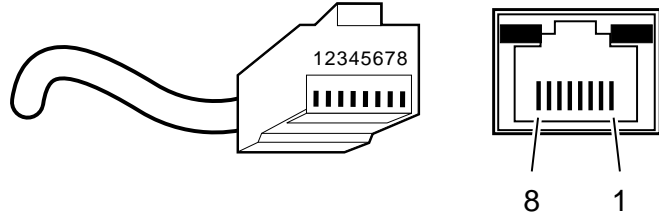
The figures illustrate the use of straight-through and crossover twisted pair cables.



8146EB

RJ-45 Connector

The RJ-45 connector (shown in the illustration with an RJ-45 plug) is used to connect workstations, hubs, and switches through unshielded twisted pair cable. The RJ-45 connector accepts four-pair Category 3 or Category 5 UTP cable. Only two pairs are used for 10BASE-T wiring.



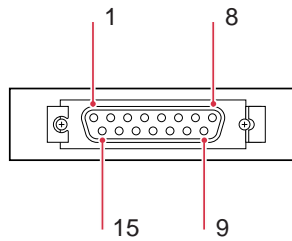
711EA

RJ-45 Connector Pin Assignment	Normal Assignment: Ports 1–15 on the Model EN516 hub Ports 1–23 on the Model EN524 hub	Uplink Assignment: Port 16 on the Model EN516 hub Port 24 on the Model EN524 hub
1	Input Receive Data +	Output Transmit Data +
2	Input Receive Data -	Output Transmit Data -
3	Output Transmit Data +	Input Receive Data +
6	Output Transmit Data -	Input Receive Data -
4, 5, 7, 8	Not used	Not used

AUI Connector

The AUI connector for the hub connects the hub through an external transceiver to other devices. An inter-repeater fiber link using a 10BASE-F transceiver is an example of such an application.

AUI connector

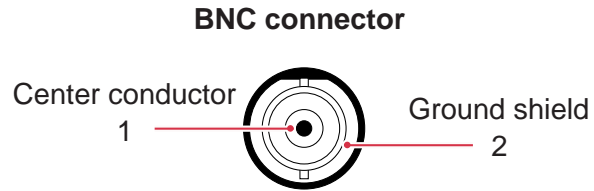


8148EA

AUI Connector Pin Assignment	Signal
1, 4, 11, 14, 15	Ground
2	CI-A
3	DO-A
5	DI-A
6	+ 12 V DC return
7, 8	Not used
9	CI-B
10	DO-B
12	DI-B
13	+ 12 V DC (500 mA maximum)

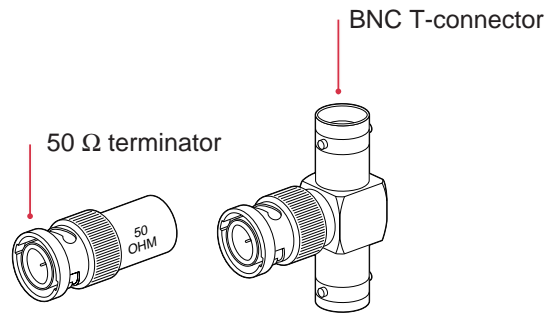
BNC Connector

The BNC connector for the hub supports 10 Mbps data transmission and connects the hub to other devices.



8149EA

The BNC port on the hub, with the BNC T-connector and the 50 Ω terminator, is used for connecting to a thin coaxial segment.



8150FA



Technical Specifications

General Specifications	
Network Protocol and Standards Compatibility IEEE 802.3i, 10BASE-T, 10BASE-2, 10BASE-5 Ethernet	
Data Rate	10 Mbps, Manchester encoded
Interface	16 10BASE-T ports (RJ-45) on the Model EN516 hub 24 10BASE-T ports (RJ-45) on the Model EN524 hub On both the Model EN516 and Model EN524 hubs: 1 BNC 10BASE-2 port 1 AUI port (15-pin D-type)
Power	100–240 V, 50/60 Hz, (auto selection) 0.15 A maximum
Physical Specifications	
Width:	13.0 inches (330 mm)
Height:	1.7 inches (43 mm)
Depth:	8.0 inches (203 mm)
Weight:	
Model EN516 hub	4.8 lb (2.2 kg)
Model EN524 hub	5.0 lb (2.3 kg)
Environmental Specifications	
Operating temperature:	0° to 40° C (32° to 104° F)
Operating humidity:	90% maximum relative humidity, noncondensing
Electromagnetic Emissions	
CE mark, commercial FCC Part 15 Class A EN 55 022 (CISPR 22), Class A VCCI Class 1 ITE	
Electromagnetic Susceptibility	
CE mark, commercial	
Electrostatic discharge (ESD):	IEC 801-2, Level 2/3/4
Radiated electromagnetic field:	IEC 801-3, Level 2
Electrical fast transient/burst:	IEC 801-4, Level 2
Electrical surge:	IEC 801-5, Level 2
Safety Agency Approvals	
CE mark, commercial UL listed (UL 1950) CSA certified (CSA 22.2 #950) TUV licensed (EN 60 950)	

© 1998 by NETGEAR, Inc. All rights reserved.

Trademarks

Bay Networks is a registered trademark of Bay Networks, Inc. NETGEAR is a trademark of Bay Networks, Inc. All other trademarks and registered trademarks are the property of their respective owners.

Statement of Conditions

In the interest of improving internal design, operational function, and/or reliability, NETGEAR reserves the right to make changes to the products described in this document without notice.

NETGEAR does not assume any liability that may occur due to the use or application of the product(s) or circuit layout(s) described herein.

Certificate of the Manufacturer/Importer

It is hereby certified that the Model EN516 and Model EN524 Ethernet hubs have been suppressed in accordance with the conditions set out in the BMPT-AmtsblVfig 243/1991 and Vfig 46/1992. The operation of some equipment (for example, test transmitters) in accordance with the regulations may, however, be subject to certain restrictions. Please refer to the notes in the operating instructions.

Federal Office for Telecommunications Approvals has been notified of the placing of this equipment on the market and has been granted the right to test the series for compliance with the regulations.

Voluntary Control Council for Interference (VCCI) Statement

This equipment is in the first category (information equipment to be used in commercial and/or industrial areas) and conforms to the standards set by the Voluntary Control Council for Interference by Data Processing Equipment and Electronic Office Machines that are aimed at preventing radio interference in commercial and/or industrial areas.

Consequently, when this equipment is used in a residential area or in an adjacent area thereto, radio interference may be caused to equipment such as radios and TV receivers.

Federal Communications Commission (FCC) Compliance Notice: Radio Frequency Notice

Note: This equipment has been tested and found to comply with the limits for a Class A digital device, pursuant to Part 15 of the FCC rules. These limits are designed to provide reasonable protection against harmful interference when the equipment is operated in a commercial environment. This equipment generates, uses, and can radiate radio frequency energy. If it is not installed and used in accordance with the instruction manual, it may cause harmful interference to radio communications. Operation of this equipment in a residential area is likely to cause harmful interference, in which case users will be required to take whatever measures may be necessary to correct the interference at their own expense.

EN 55 022 Statement

This is to certify that the Model EN516 and Model EN524 Ethernet hubs are shielded against the generation of radio interference in accordance with the application of Council Directive 89/336/EEC, Article 4a. Conformity is declared by the application of EN 55 022 Class A (CISPR 22).



This is a Class A product. In a domestic environment, this product may cause radio interference, in which case, the user may be required to take appropriate measures.

Canadian Department of Communications Radio Interference Regulations

This digital apparatus (Model EN516 and Model EN524 Ethernet hubs) do not exceed the Class A limits for radio-noise emissions from digital apparatus as set out in the Radio Interference Regulations of the Canadian Department of Communications.

Règlement sur le brouillage radioélectrique du ministère des Communications

Cet appareil numérique (Model EN516 et Model EN524 Ethernet hubs) respecte les limites de bruits radioélectriques visant les appareils numériques de classe A prescrites dans le Règlement sur le brouillage radioélectrique du ministère des Communications du Canada.

NETGEAR

NETGEAR, Inc.
A Bay Networks Company
4401 Great America Parkway
Santa Clara, CA 95054 USA
Phone: 888-NETGEAR



Customer Support

Phone

Australia: 1800-142-046
France: 0800-90-2078
Germany: 0130-817305
Japan: 0120-66-5402
Korea: 00308-11-0319
New Zealand: 0800-444-626
Sweden: 020-790086
United Kingdom: (44) 171-571-5120
U.S./Canada: 800-211-2069

Internet/World Wide Web

The NETGEAR Web page is at <http://NETGEAR.baynetworks.com>.

Defective or damaged merchandise can be returned to your point-of-sale representative.



* M - E N 5 0 0 N A - 0 *